



Urbania & Loft  
Aluminum Patio Doors





Urbania sliding patio door, 95½" x 95½" painted black with black Studio handle

## Urbania & Loft Aluminum Patio Doors

Courage changes everything. Our engineers had the courage to question everything and reinvent the aluminum patio door. A seamless vision between interior and exterior, with effortless operation, that brings color and design into your world — *that* is Urbania and Loft.

## Panoramic View

Today's architectural trends follow the notion that the outdoors is an essential extension of the living space. Bright and open floor-to-ceiling windows have replaced large cumbersome structures expanding the limits of architectural freedom. With wider panels and fewer frame elements, Urbania & Loft provide a large glass surface that open up your home.

## Effortless Operation — A Sense of Quality!

High precision machined wheels and the available lift & slide mechanism make sliding oversized panels nearly frictionless. Each detail is designed to make opening and closing simpler and more enjoyable.

## Exceptional Comfort and Energy Efficiency

Composite thermal barriers and an innovative sealing system combine to offer the highest performance ratings on the market. Urbania and Loft can be installed in Energy Star zones 1, 2, or 3 without restrictions.

## Durable and Maintenance Free

Does a robust door need heavy looking structures? The Urbania and Loft aluminum frames are minimalist in your line of sight yet engineered with the utmost structural integrity to withstand wind loads, shocks, and the toughest climates from -30°C to 72°C.

## Security and Peace of Mind

Stronger means safer. Solid aluminum frames with fibre reinforced thermal barriers make the most solid doors you can install. Standard double-point locking system on the Urbania sliding door — standard triple-point locking system on Loft lift-&-slide door.





Loft lift-&-slide patio door, 119" x 95½" painted black with brushed chrome Kora handle

## The Loft patio door designed to be larger than life!

Loft extends your living space into the outdoors. Its lifting mechanism ensures large glass panels are easy and simple to move while providing unparalleled airtightness when closed. Two panel configurations — in lieu of three or four panel — define contemporary lifestyle and breathtaking atmosphere. Safe, durable, easy to operate and energy efficient, this door is the best from Novatech.



One System,  
Two Doors

**Urbania**

Sliding Patio Door

Personalize and customize your Urbania door through contemporary or classic handles, multiple color and glass options.

- Glass surfaces that create an ambiance
- Double-point locking system for top security
- Standard Low E Argon sealed units
- High quality corrosion resistant tandem wheels




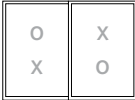
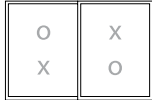

**Loft**

Lift & Slide Patio Door

Loft brings you the performance and beauty of Urbania and more. Its lift & slide mechanism allows greater architectural flexibility and configurations typically reserved for folding doors or other, more complex systems.

- Height and width like never before
- Triple-point locking system for top security
- Standard Low E Argon sealed units
- High durability tandem wheels

Configurations

	5'	6'	8'	9'	10'	12'
Exterior view. X = Opening Panel. O = Fixed Panel.						
Urbania	59½" × 79½" 58½" × 81" 59½" × 95½"	71½" × 79½" 70½" × 81" 71½" × 95½"	95½" × 79½" 94½" × 81" 95½" × 95½"	107" × 79½" 107" × 81" 107" × 95½"		
Loft		71½" × 79½" 70½" × 81" 71½" × 95½"	95½" × 79½" 94½" × 81" 95½" × 95½"	107" × 79½" 107" × 81" 107" × 95½"	119" × 79½" 119" × 81" 119" × 95½"	143" × 79½" 143" × 81" 143" × 95½"

Available  
Colors

Two scratch resistant standard colors. Custom colors available on demand.



White K-1285



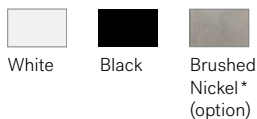
Black K-90421

Hardware

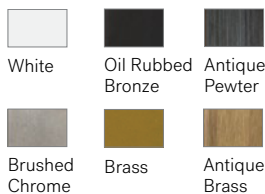
**Urbania**



Studio handle with double-point mortise (Standard)  
Inside and outside handles shown.  
Keyed Lock option available.



Signature handle with double-point mortise (Option)  
Inside and outside handles shown.  
Keyed Lock option available.



**Loft**



Kora lift-&-slide handle with triple-point mortise (Standard)  
Inside and outside handles shown.



\* No PVD corrosion protection on the Brushed Nickel finish.

Options

**Configuration Options**

Custom sizes  
 Custom colors  
 1 ¼" Triple sealed insulated glass

**Accessory Options**

Grids  
 Keyed lock (Urbania)  
 Ultra-resistant screen with 3" aluminum frame  
 Stainless Steel double-point locking mechanism (Urbania)

**Installation Options**

Frame width: 6", 7 ¼", 8", ou 9 ¼"  
 Nailing fin (width behind nailing fin: 4 ⅞", ou 6 ⅞")  
 Aluminum brick moulding  
 Interior drywall moulding  
 Sill extension

**Available Soon**

3 or 4 light option  
 Sidelites and transoms  
 Integrated blinds — white or satin grey  
 Security bar  
 Retractable NovaScreen  
 Knocked down kit

Performance

Reference: 95 ½" x 95 ½" door

	Double glazed with one Low E 80/70 glass	Triple glazed with one Low E 80/70 glass
<b>U Value</b>	1.87 W/m <sup>2</sup> K	1.53 W/m <sup>2</sup> K
<b>Energy Rating</b>	31	35
<b>Energy Star Zone</b>	1, 2	1, 2, 3

**Air:** A3

**Water:** DP 50 (360 Pa)

**Structural:** LC 40 without reinforcement,  
 CW 60 with reinforcement.

**Condensation Resistance Index:** I = 53

Thermal Cycling tested ranging from -30 to 72 °C

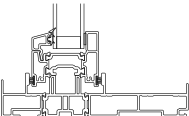
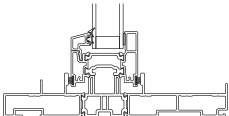
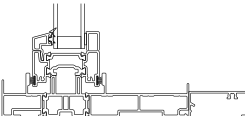
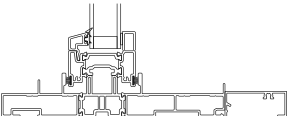
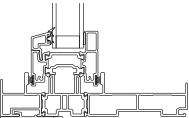
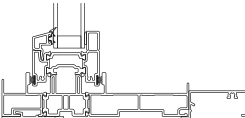
**Noise Reduction:**

4mm + 4mm Insulated Glass: STC 31, OITC 24

4mm + 6mm Insulated Glass: STC 35, OITC 28

Frame Configurations

Multiple configurations to simplify installation for various wall depths.

Frame Width		With 2" Aluminum Extension	
6" Frame	7 ¼" Frame	8" Frame	9 ¼" Frame
			
153.91mm (6")	184.15mm (7 ¼")	204.71mm (8")	234.95mm (9 ¼")
6" Frame with Nailing Fin		8" Frame with Nailing Fin	
			
115.90mm (4 ⅞") 153.91mm (6")		166.7mm (6 ⅞") 204.71mm (8")	

## Canada

---

### **Novatech Head Office**

Sainte-Julie, Quebec  
160 Murano  
J3E 0C6

### **Novatech Showroom**

Sainte-Julie, Quebec  
1401 Nobel  
J3E 1Z4  
Tel: 1-844-986-8001

### **Novatech Patio Doors**

Beauceville, Quebec  
100, 181<sup>th</sup> street  
G5X 2T1

### **Toronto Office and Showroom**

Toronto, Ontario  
2070 Codlin Crescent,  
Unit 1, M9W 7J2

### **Calgary Office and Showroom**

Calgary, Alberta  
5505, 72<sup>nd</sup> Avenue SE,  
Unit 17, T2C 3C4

## United States

---

### **Novatech USA**

Ridgeway, Virginia  
180 Textile Drive  
24148  
infoUSA@novatechgroup.com

## France

---

### **Novatech Europe**

Roanne, France  
8 quai du Canal, BP83  
42 302

**Novatech**<sup>®</sup>  
novatechgroup.com

**Toll Free: 1-866-886-2215**  
**Customer Service #1**  
quotesppn@novatechgroup.com  
ordersppn@novatechgroup.com  
**Technical Service #2**  
savppn@novatechgroup.com

